

Harmonic Filter Reactors

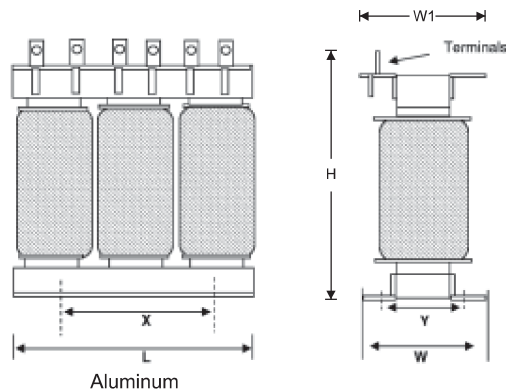
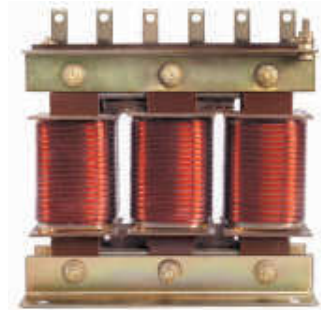


Technical Data :

- Specification : IS-5553/IEC-60076
- Range :
 - Filter output upto 100 kVAR (other ratings upon request)
 - Filter factor 5.67%, 7%, 14%
 - Rated voltage : 440V, 525V, 690V, 750V
- Type : Tuned/Detuned, Copper/Aluminum wound-iron core dry type

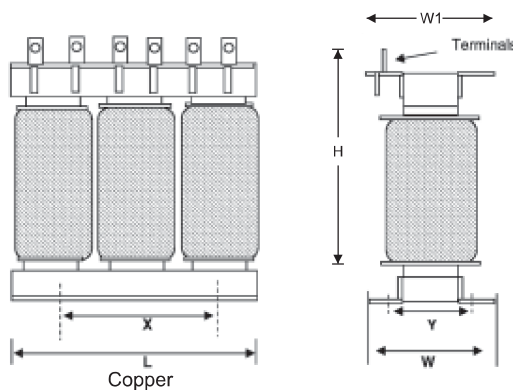
Features :

- Reactors manufactured as per IS-5553/IEC-60076.
- Linearity upto 160%.
- Insulation class 'F' & 'H'.
- Value accuracy within + 3%.
- Tin plated terminals for connections.
- Natural air cooling.
- Noise level less than 60dB at rated load.
- Coil wound with multiple conductors to reduce skin effect.
- Adequate cushion provided to avoid heating due to leakage flux.
- Mechanically sturdy design to withstand vibrations, keep low noise level & ensure performance guarantee.



Value	L	W	H	W1	X	Y
5 KVAR 7%	210	110	190	125	180	80
7.5 KVAR 7%	210	110	200	125	180	80
10 KVAR 7%	210	110	200	130	180	80
12.5 KVAR 7%	210	120	220	140	180	90
15 KVAR 7%	210	120	240	140	180	90
20 KVAR 7%	210	125	220	165	180	95
25 KVAR 7%	270	135	270	165	180	100
30 KVAR 7%	270	135	270	165	180	100
40 KVAR 7%	270	140	280	170	180	105
50 KVAR 7%	270	145	305	175	180	115
75 KVAR 7%	300	160	305	205	180	130
100 KVAR 7%	330	170	325	220	180	130

Toll. +/- 10mm for overall dimns. & +/- 2mm for mounting dimns.



Value	L	W	H	W1	X	Y
5 KVAR 7%	165	90	170	115	120	65
7.5 KVAR 7%	210	110	170	140	180	80
10 KVAR 7%	210	110	180	140	180	80
12.5 KVAR 7%	210	120	200	145	180	85
15 KVAR 7%	210	120	220	145	180	85
20 KVAR 7%	240	135	220	165	180	95
25 KVAR 7%	240	135	240	165	180	100
30 KVAR 7%	240	135	260	165	180	105
40 KVAR 7%	240	155	280	175	180	120
50 KVAR 7%	240	160	260	185	180	125
75 KVAR 7%	300	165	290	200	180	130
100 KVAR 7%	300	185	300	220	180	150

Toll. +/- 10mm for overall dimns. & +/- 2mm for mounting dimns.