

## Solid Insulated Vacuum Capacitor Switch

Model: SHRVCS-15 for 15kV application



### Salient Features:

- Silicon & Epoxy material used providing excellent insulation
- Magnetic Actuator with fully sealed Vacuum Interrupter
- High mechanical & electrical life
- Very high reliability because of very few moving parts
- A reliable weatherproofing arrangement of the HV section
- Gas and Oil free
- Compact & Light weight design for transportation & installation
- Ultra-Flexible Installation
- 120V or 240V operation
- Drop-in replacement for Oil switches

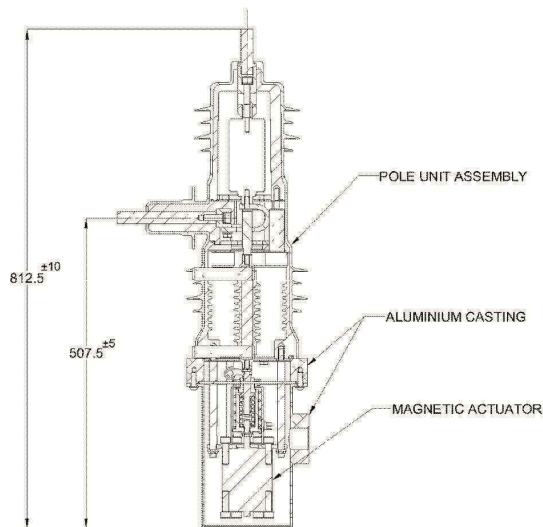
### Controller

- Control action of the unit is based on Voltage, VAR or Voltage & VAR
- Output contacts: 30Amps @ 140/240VAC/DC
- Voltage Accuracy:  $\pm 0.5\%$  VAC
- Current Accuracy:  $\pm 1.0\%$  + sensor accuracy
- Phase Angle Accuracy:  $\pm 1$  Degree (Lead or Lag)
- Battery: Lithium cell, 10 year life, size 2/3A
- Communication: RS-232 or (optional) RS-485 Modbus
- RTC Real Time Clock is given for recording data
- Display LCD with Backlit: 16 x 2 Line

# Solid Insulated Vacuum Capacitor Switch

## Technical Details :

Characteristics	Value
Rated voltage	15kV
Rated Current	400A
Cap. Switching Current	200A
Power frequency withstand voltage	36kV rms
Impulse withstand voltage	95kVp
Frequency	50Hz/60Hz
Rated short time withstand current	10kA for 1second
Rated making current	25kAp
Degree of protection	IP55
Creepage distance	
Terminal to terminal	564mm
Terminal to ground	499mm
Height	812.5 <sup>±10</sup> mm
Weight	21kg



## Shreem Electric Ltd.

Corporate Office:  
P. B. No. 43, Industrial Estate,  
**Jaysingpur – 416 144**  
Dist.: Kolhapur, Maharashtra, (INDIA)  
Tel : +91-2322-221021/22/24/45  
Fax : +91-2322-221023  
E-mail: info@shreemelectric.com  
switchgear@shreemelectric.com  
Web : [www.shreemelectric.com](http://www.shreemelectric.com)